

Item ref. : 259/2 Extended Code: 259101020

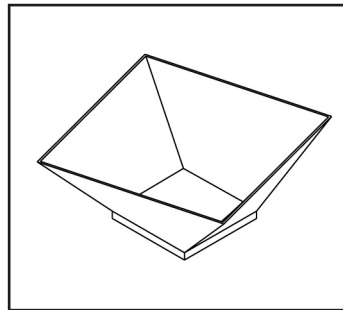
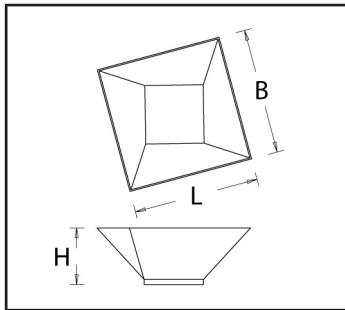
Item description: GLAMOUR CONTAINER 2 PCS. Colour: Clear Green

Material: PS Technology: Injection molding

EAN code: 8011248006831 Customizable

Restriction in use: Not microwaveable

PRODUCT SPECIFICATIONS



U.M.= mm

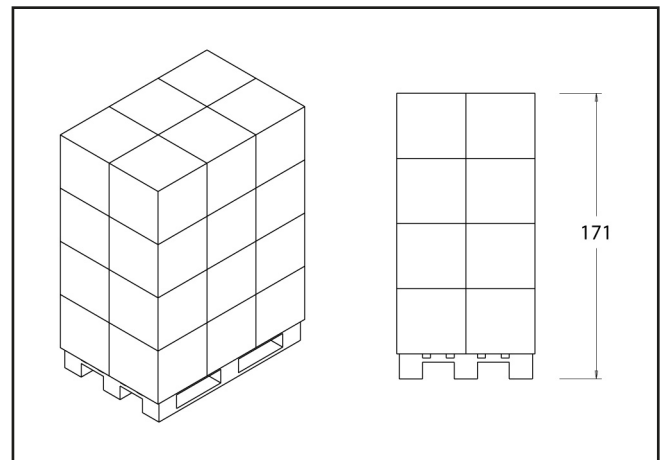
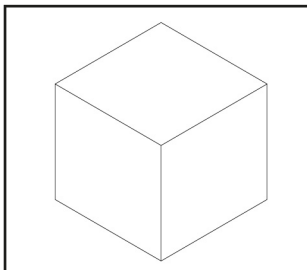
Net weight (gr): 26,90 Total capacity (cc): 350,00

Length (L): 117,00 Width (B): 117,00 Height (H): 54,00

Int. Diameter (d1): _____ Ext. Diameter (d2) : _____

Note: _____

PACKAGING SPECIFICATIONS



U.M.= cm

Nr of pcs per box 360

Nr of pcs per inner packaging: 30

Nr of inner packaging per box: 12

Box measures: Length: 41,50 Width: 41,50 Height: 39,00

Box gross weight (Kg): 10,70 Nr of boxes per pallet: 24

