

Item ref.: 271/3 Extended Code: 271008030

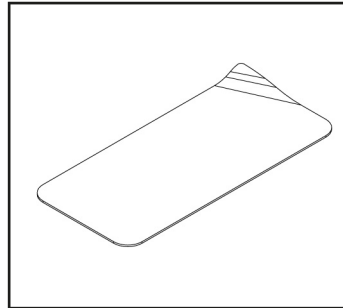
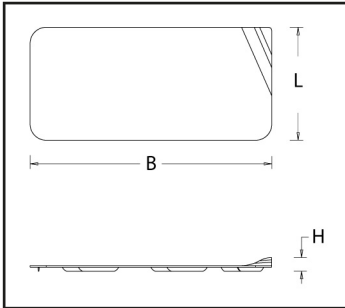
Item description: STONE TRAY GREY 30X14 Colour: Grey

Material: PS Technology: Injection molding

EAN code: 8011248011002 Customizable

Restriction in use: not Microwaveable

PRODUCT SPECIFICATIONS



U.M.= mm

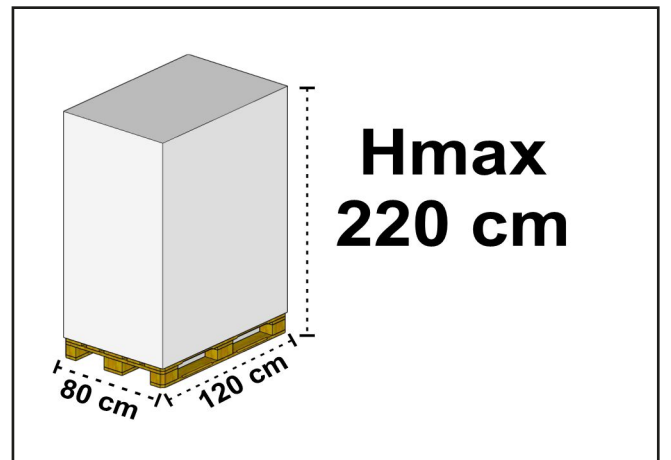
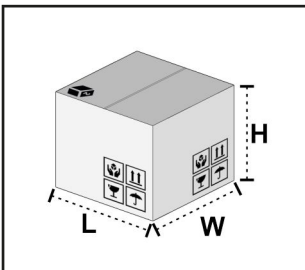
Net weight (gr): 95,00 Total capacity (cc): _____

Length (L): 300,00 Width (B): 140,00 Height (H): 17,00

Int. Diameter (d1): _____ Ext. Diameter (d2): _____

Note: _____

PACKAGING SPECIFICATIONS



U.M.= cm

Nr of pcs per box 80

Nr of pcs per inner packaging: 10

Nr of inner packaging per box: 8

Box measures: Length: 32,00 Width: 60,50 Height: 16,00

Box gross weight (Kg): 8,40 Nr of boxes per pallet: 40

